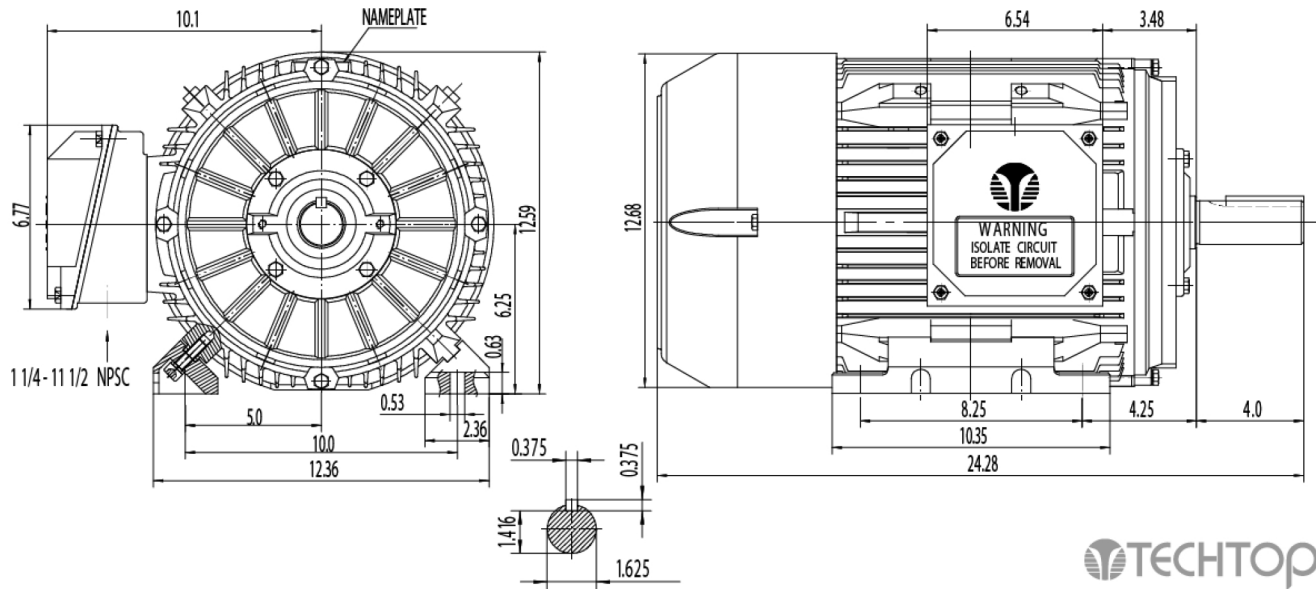


## Dimensional Drawing



Dimensions are for reference only. Allowance should be made for minor deviations in non standard specified properties.

3D Image Link: Not available for this motor

Techtop Industries  
2815 Colonnades Court  
Peachtree Corners, GA 30071  
Tel: 678-436-5540  
E-Mail: info@techttopind.com

 **TECHTOP**